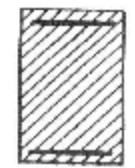


111. Di jagram za dimenzionisanje M_{xu}, N_u

$\sigma_v = 40.0 \text{ KN/cm}^2$
 $\bar{\mu}_{max} = 0.4$

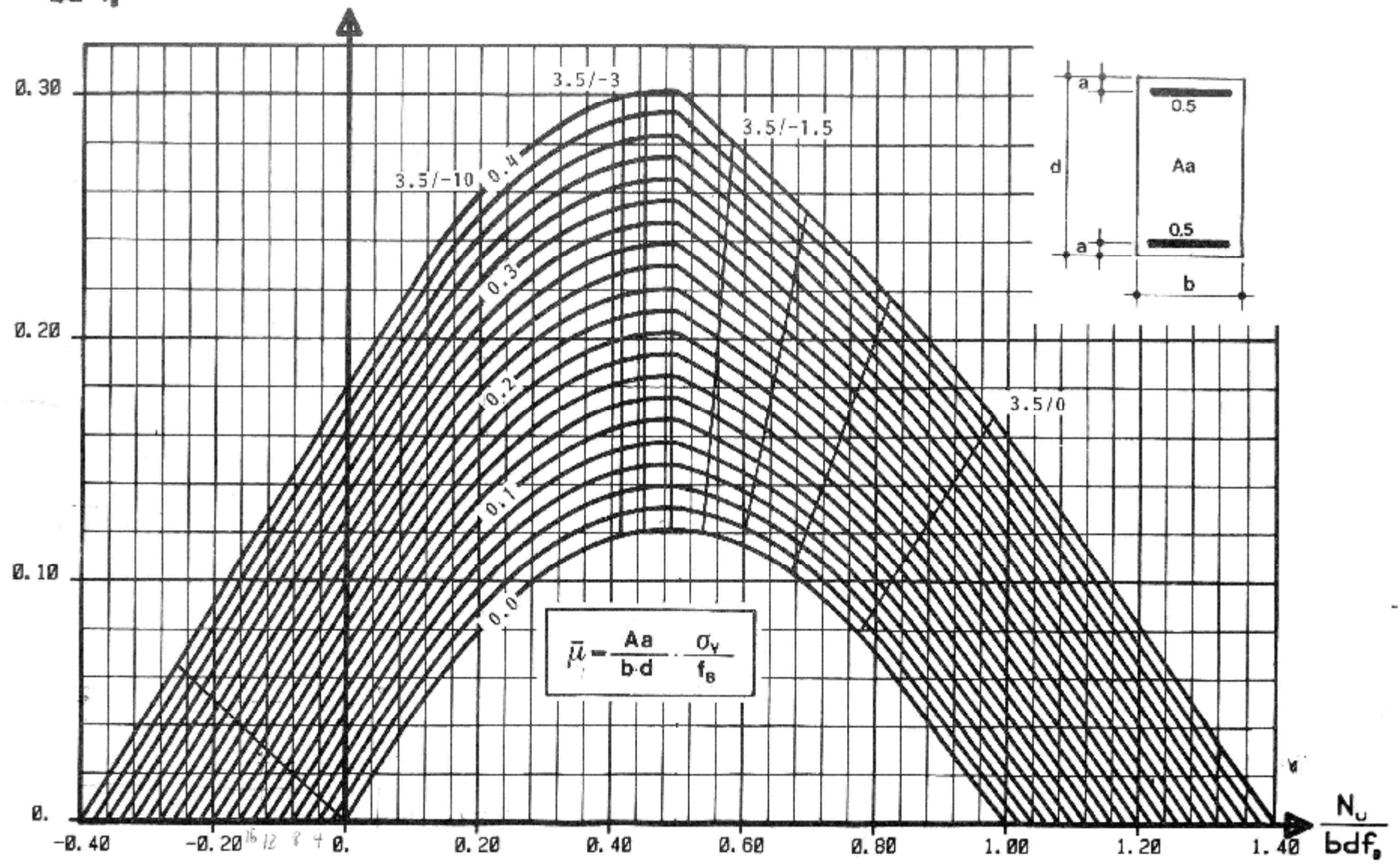
$\frac{m_y}{m_x} = \frac{M_y/b}{M_x/d} = 0.0$

$\frac{a}{d} = 0.050$



$\frac{M_{xu}}{bd^2 f_s}$

CF - INK



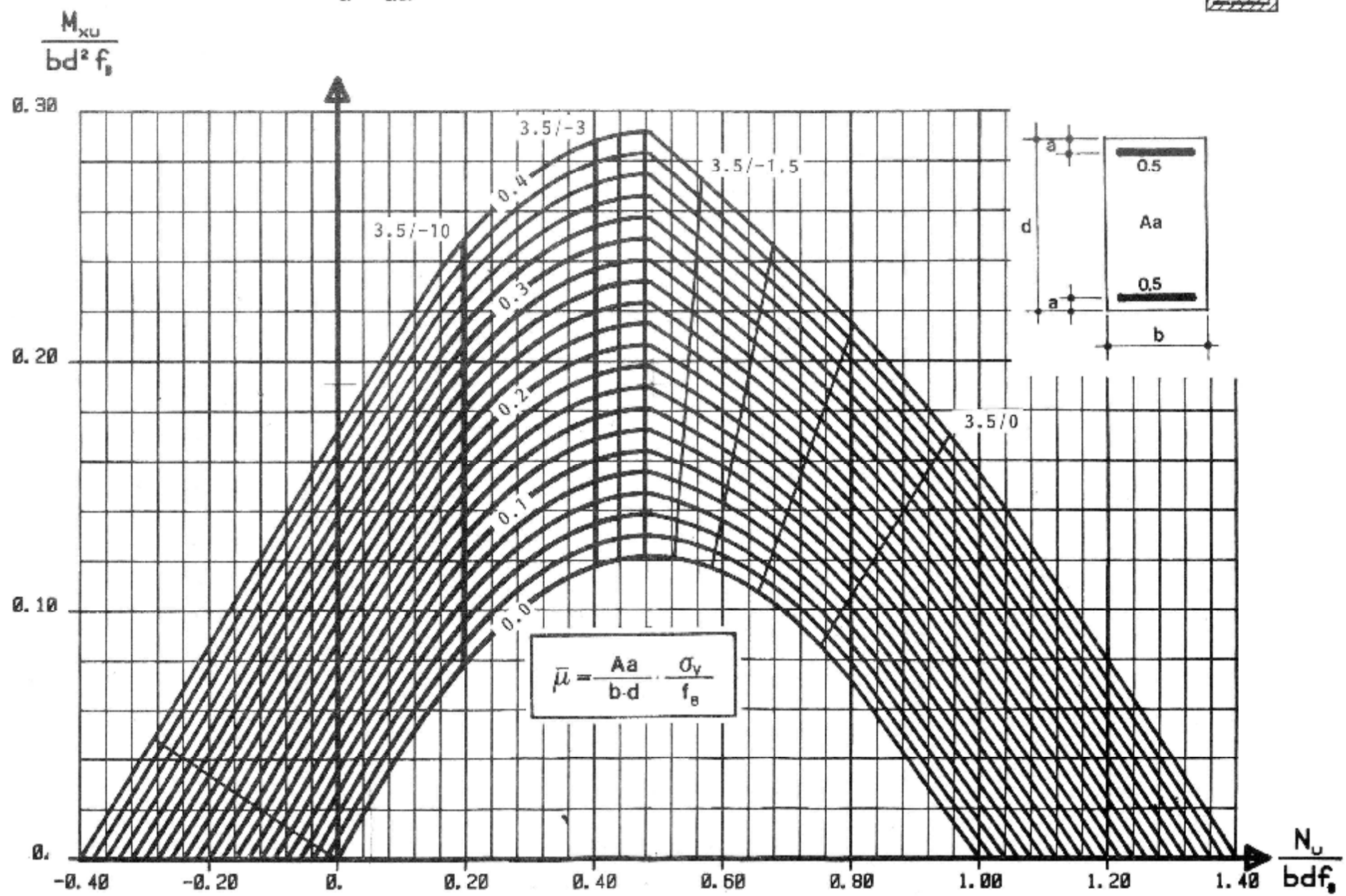
113. Di jagram za dimenzionisanje M_{xu}, N_u

GF - INK

$\sigma_v = 40.0 \text{ KN/cm}^2$
 $\bar{\mu}_{max} = 0.4$

$\frac{m_y}{m_x} = \frac{M_y/b}{M_x/d} = 0.0$

$\frac{a}{d} = 0.075$



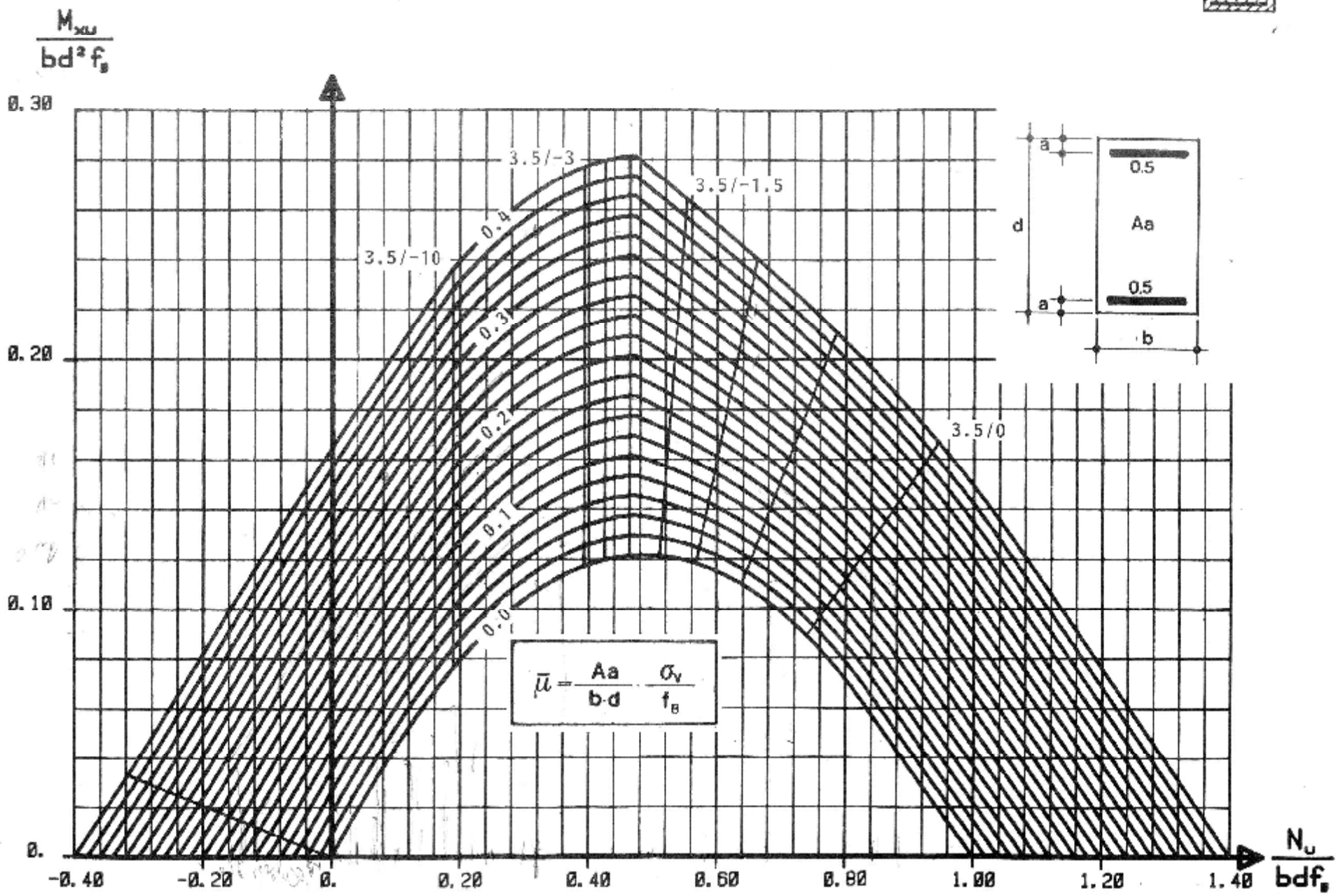
115. Di jagram za dimenzionisanje M_{xu}, N_u

GF - DMK

$\sigma_v = 40.0 \text{ KN/cm}^2$
 $\bar{\mu}_{\max} = 0.4$

$\frac{m_y}{m_x} = \frac{M_y/b}{M_x/d} = 0.0$

$\frac{a}{d} = 0.100$



117. Di jagram za dimenzioniranje M_{xu}, N_u

GF - IMK

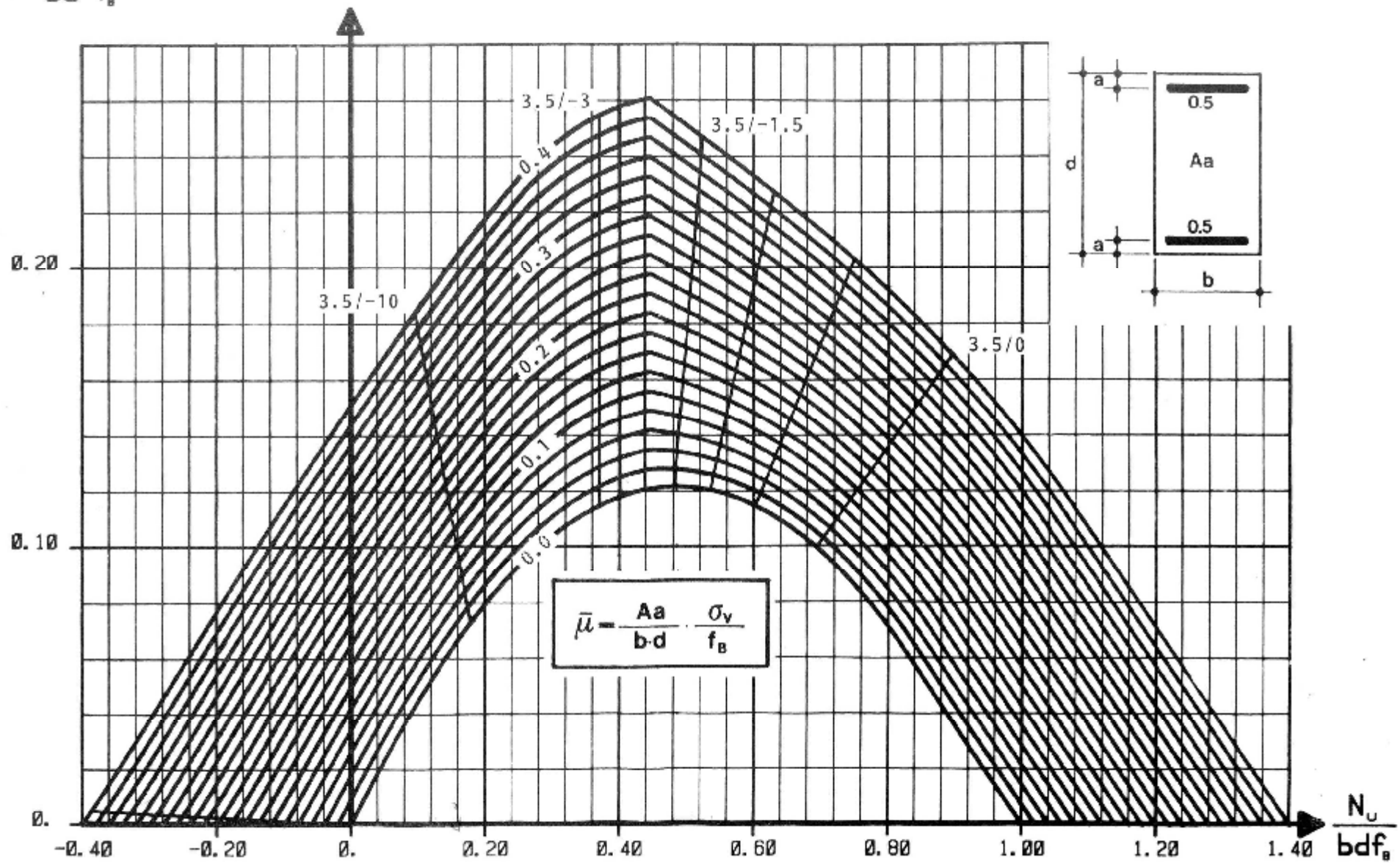
$\sigma_v = 40.0 \text{ KN/cm}^2$
 $\bar{\mu}_{max} = 0.4$

$\frac{m_y}{m_x} = \frac{M_y/b}{M_x/d} = 0.0$

$\frac{a}{d} = 0.150$



$\frac{M_{xu}}{bd^2 f_b}$



159. Dijagram za dimenzionisanje M_{xu}, N_u

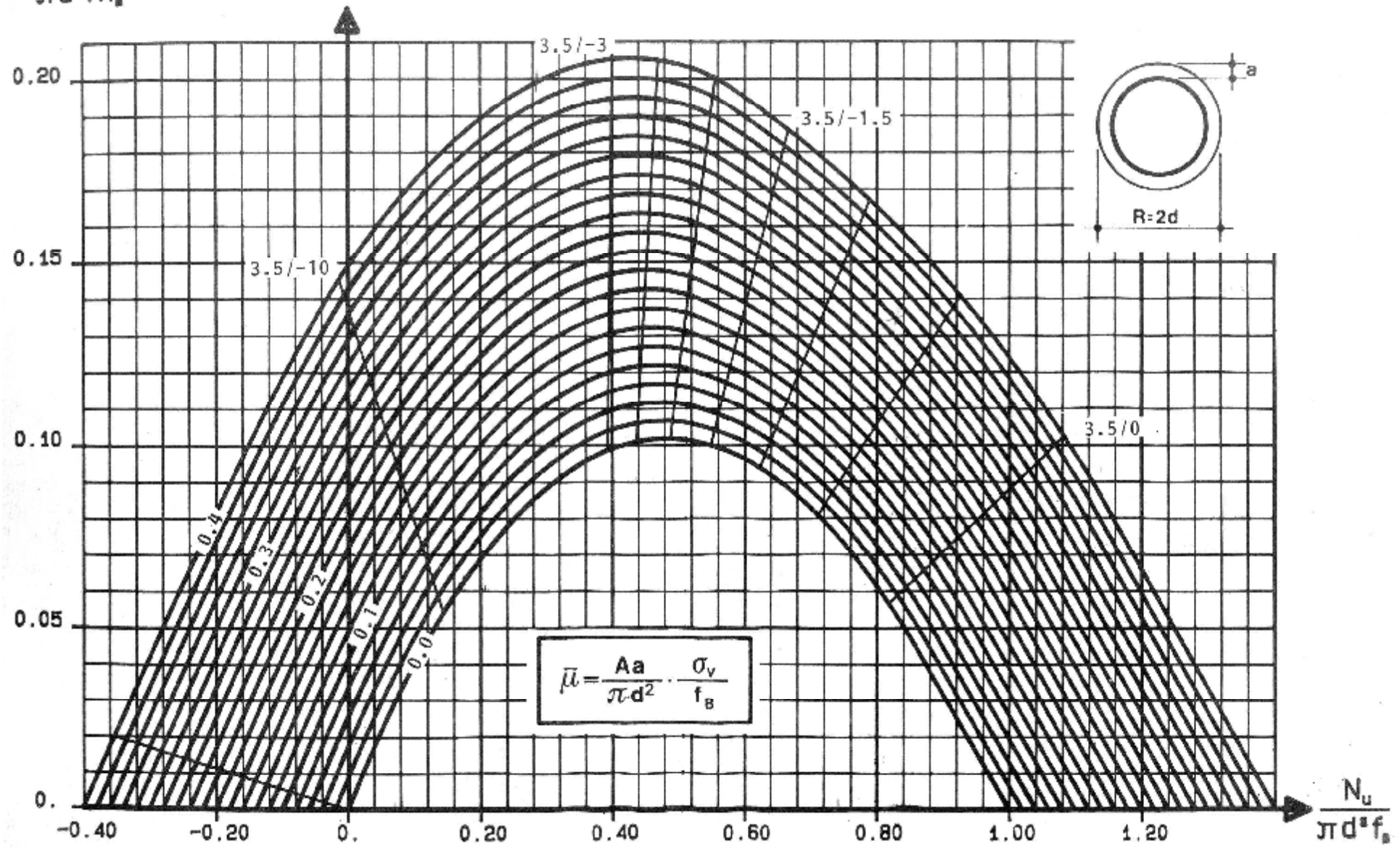
$\sigma_v = 40.0 \text{ KN/cm}^2$
 $\bar{\mu}_{max} = 0.4$

$\frac{a}{R} = 0.050$



07 - IMK

$\frac{M_{xu}}{\pi d^2 R f_b}$

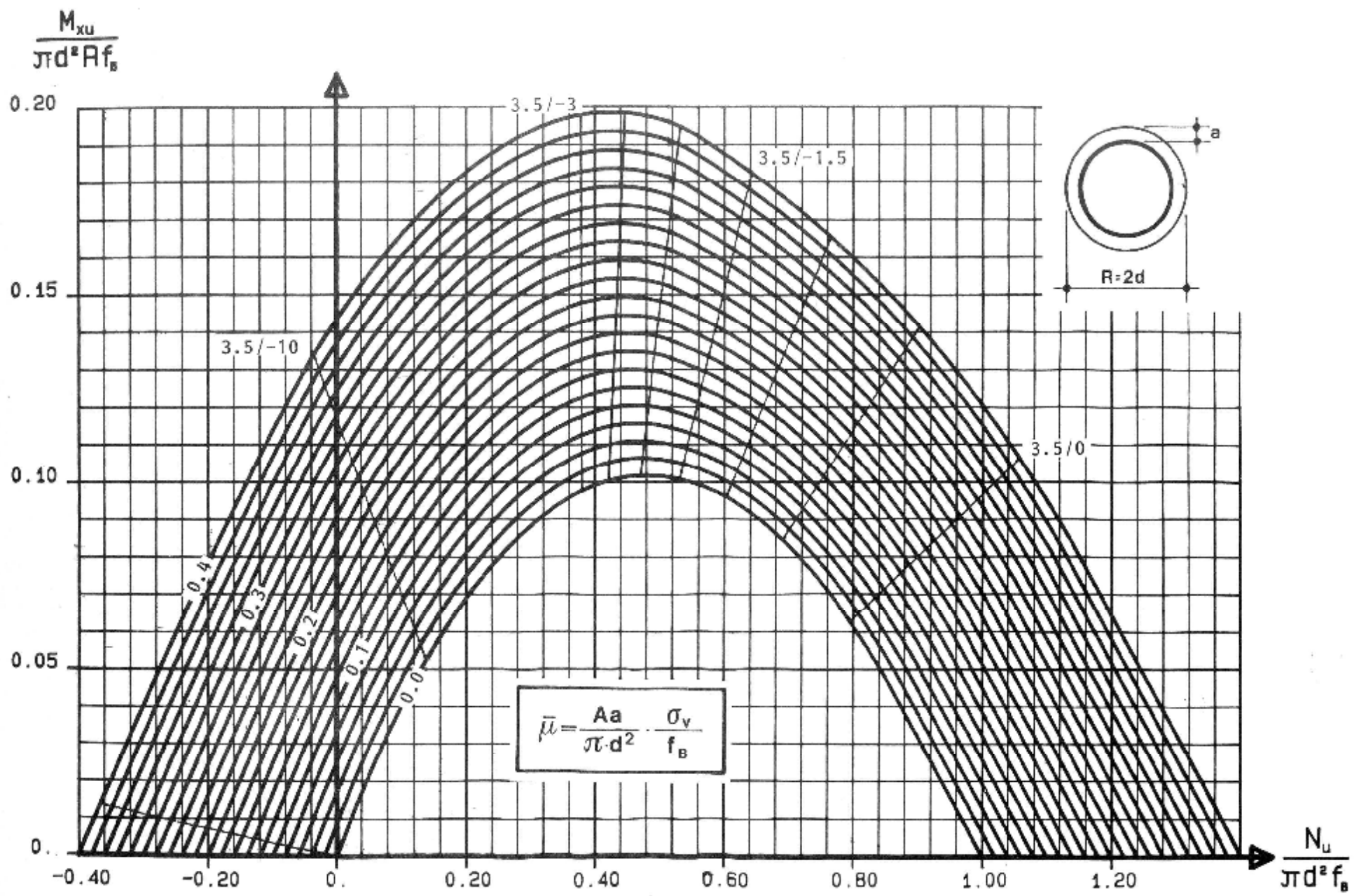


161. Dijagram za
dimenzionisanje M_{xu}, N_u

BF - INK

$\sigma_v = 40.0 \text{ KN/cm}^2$
 $\bar{\mu}_{max} = 0.4$

$\frac{a}{R} = 0.075$



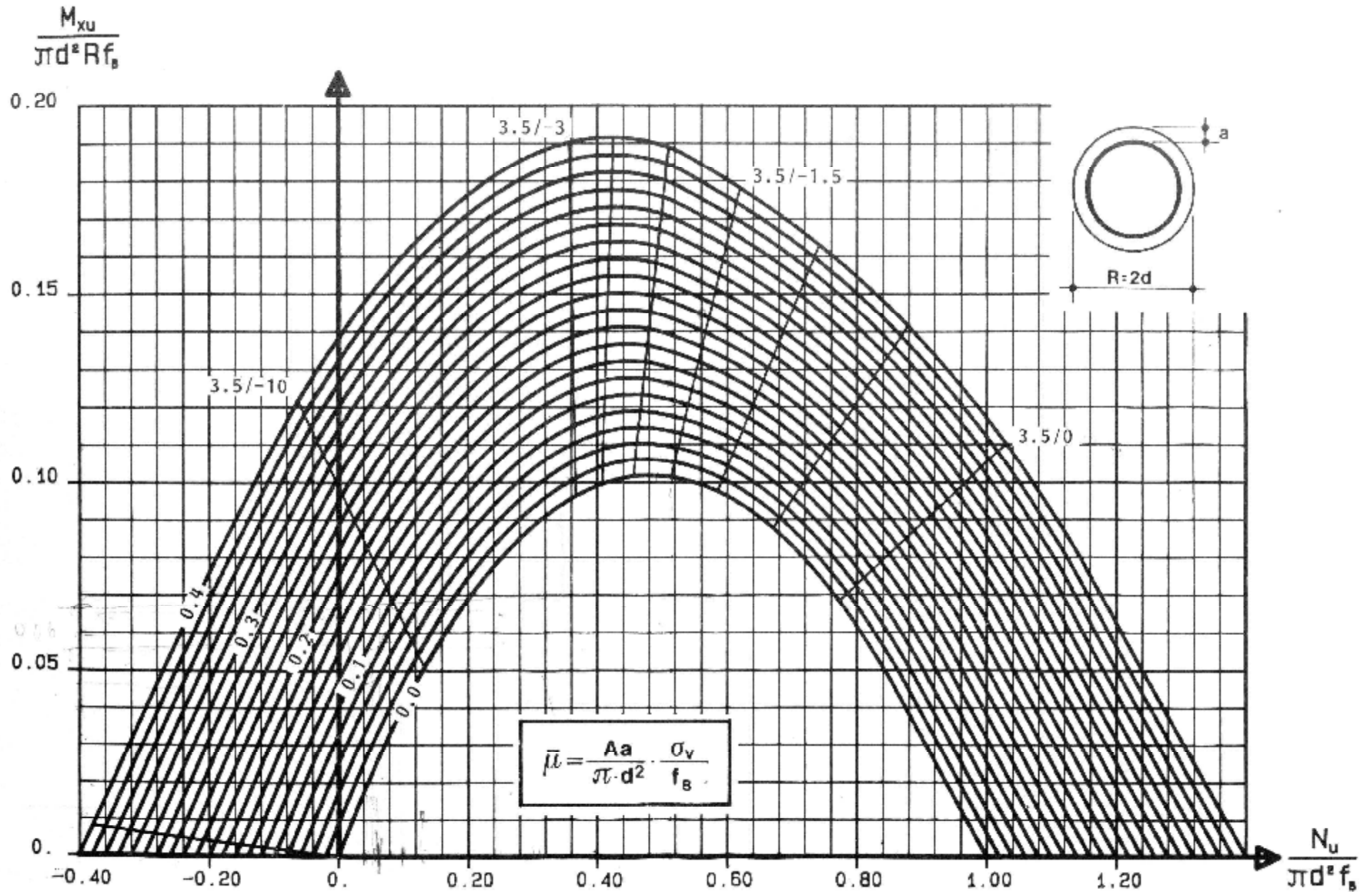
163. Dijagram za dimenzionisanje M_{xu}, N_u

GF - IMK

$$\sigma_v = 40.0 \text{ KN/cm}^2$$

$$\bar{\mu}_{\text{max}} = 0.4$$

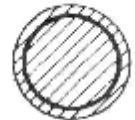
$$\frac{a}{R} = 0.100$$



165. Dijagram za dimenzionisanje M_{xu}, N_u

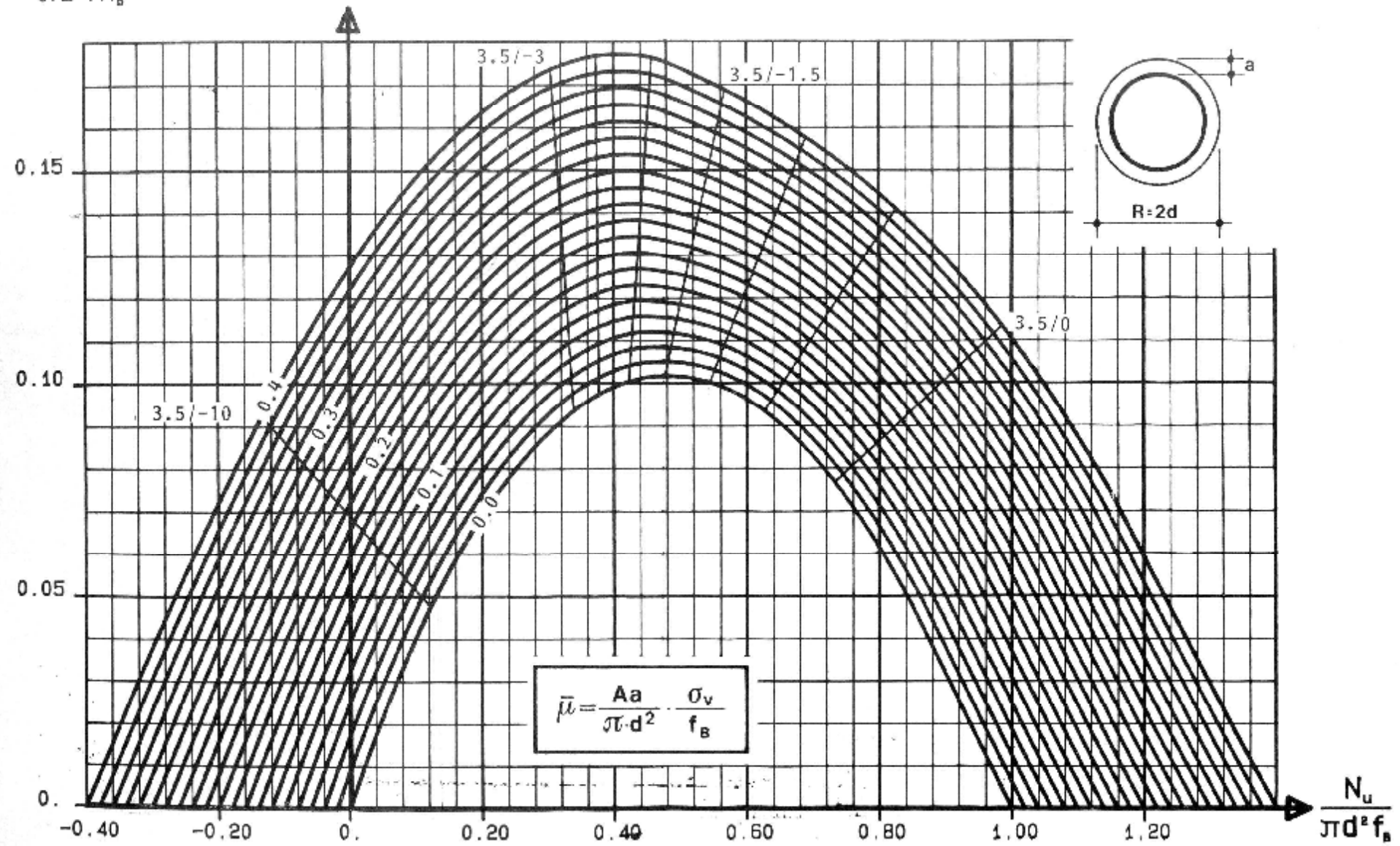
$\sigma_v = 40.0 \text{ KN/cm}^2$
 $\bar{\mu}_{\text{max}} = 0.4$

$\frac{a}{R} = 0.150$



BF - INK

$$\frac{M_{xu}}{\pi d^2 R f_B}$$



$$\bar{\mu} = \frac{Aa}{\pi \cdot d^2} \cdot \frac{\sigma_v}{f_B}$$